

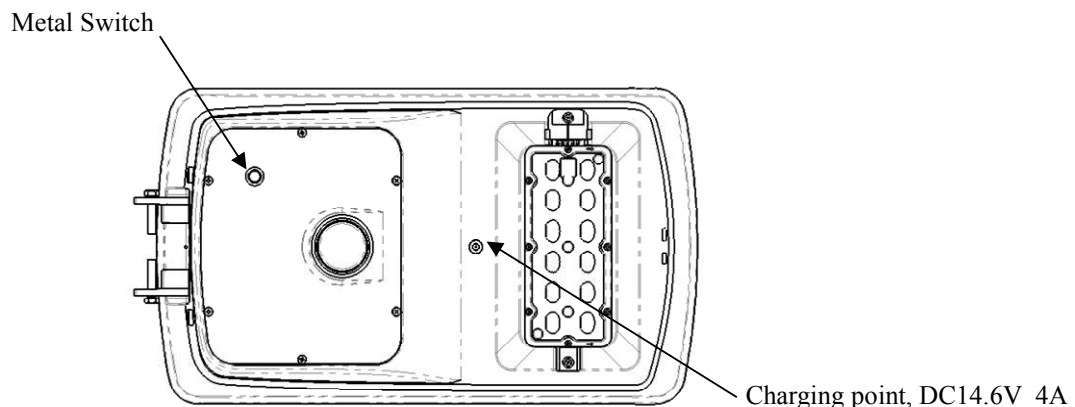
Outdoor Series

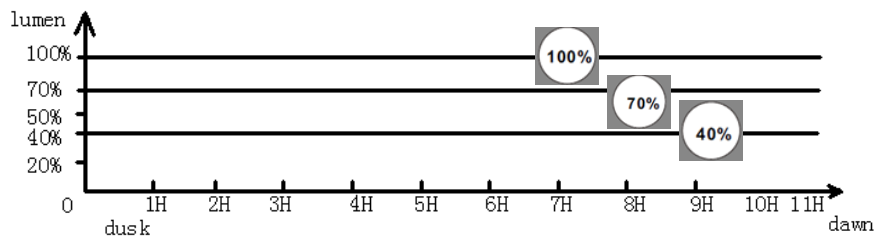
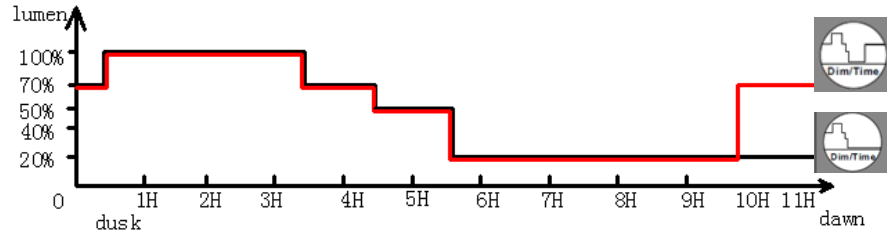
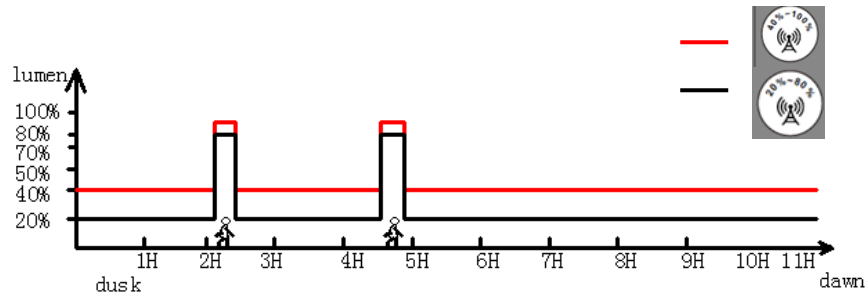
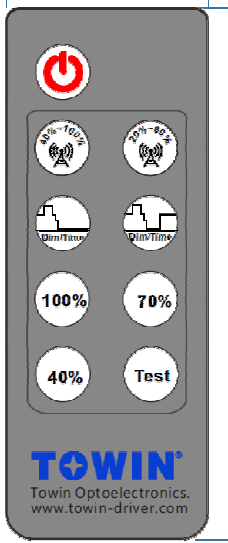
SOLF-17W-xxK, SOLF-36W-xxK, SOLF-54W-xxK

(Model description :xx=CCT (30=3000K, 40=4000K, 50=5000K))

Warning and Attention:

1. The average sunshine in the installation area should be above 3.5h/day in order to ensure full function of the lighting fixture.
2. To avoid over discharge of the battery during storage, please recharge the lighting fixture every 4 months (press the switch when charging, use the dedicated charger to charge, reset the switch when done.)
3. Before installation, please ensure the light pole foundation is solid enough to withstand lighting fixture.
4. Optimize the lighting fixture positioning in order to optimize its exposition to sunshine. Always face the equator (solar panel to face south if in northern hemisphere for example)
5. In order to allow self-cleaning, please have a minimum angle of 15 degrees.
6. Before installation, please check the battery is fully charged. Please proceed to the installation during sunny days if possible.
7. Adjust the lighting fixture angle to optimize its exposition to sunshine and the LED module angle toward the area to bright up.
8. Before installation, please press the switch and check whether it shows red light on the sensor. Please cover the panel and check if the light module turns on, normally within 1 minute.
9. Select the necessary operation mode with the remote control. Please refer to the instruction manual of the remote control for further information.
10. Use the dedicated tool to disassemble the anti-theft screws.
11. After installation, the lighting fixture will automatically turn on at night and turn off during daylight.
12. Please select the right operating mode according to the local legislation needs and the local sunshine conditions.
13. Half out put when the battery capacity less than 40%





“ON/OFF” Working/Standby key



Induction mode

Suitable for areas and seasons with less sunshine time



Time control mode

Suitable for areas and seasons with many sunshine time



Constant brightness mode

Suitable for areas and seasons with more sunshine time



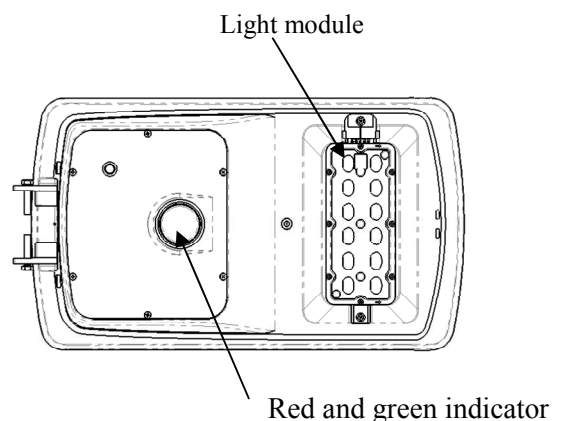
Test mode: Test the function of the product is normal

Red indicator:

1. Under charging, the red light flashing slowly
2. Full charged, the red light stay lit
3. charge fault, the red light flashing quickly

Green indicator:

1. Battery power more than 40%, the green light stay lit
2. Battery power less than 40%, the green light flash slowly

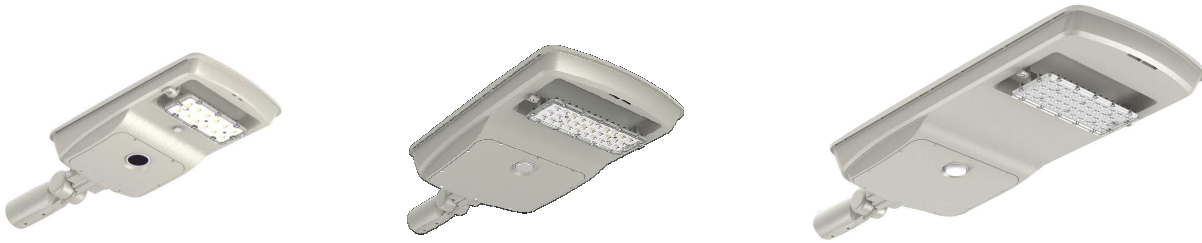


Mode switching indication of remote control:

The light module will flash twice when the light fixture received the signal from remote control

Application Item :

Item	MODEL	SOLAR PANEL	LUMEN	NET WEIGHT	DIMMING
A	SOLF-17W-xxK	17W	1600LM	5.27KG	Use the remote control to adjust
B	SOLF-36W-xxK	36W	4000LM	9.7KG	Use the remote control to adjust
C	SOLF-54W-xxK	54W	6000LM	13.5KG	Use the remote control to adjust

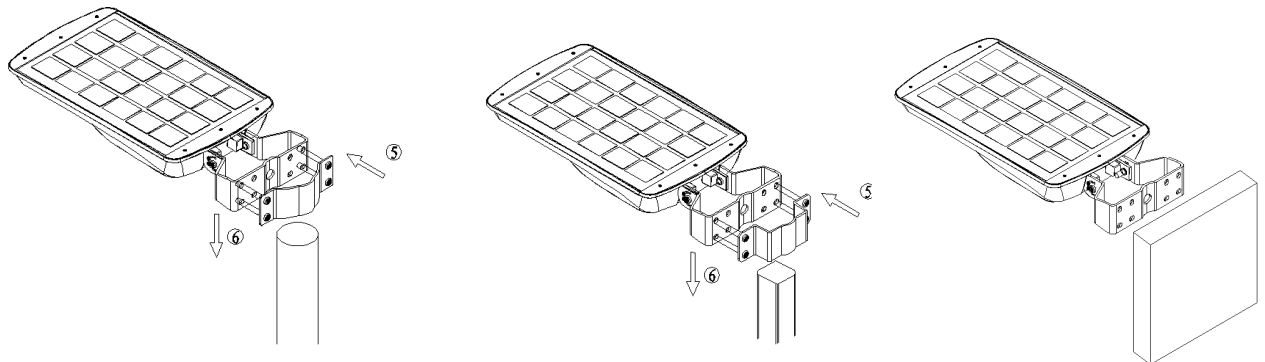
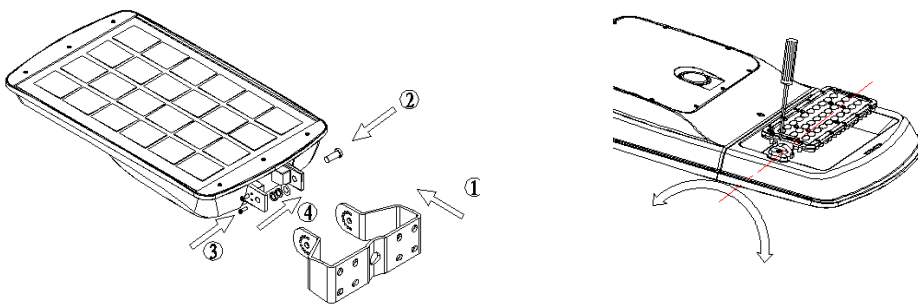
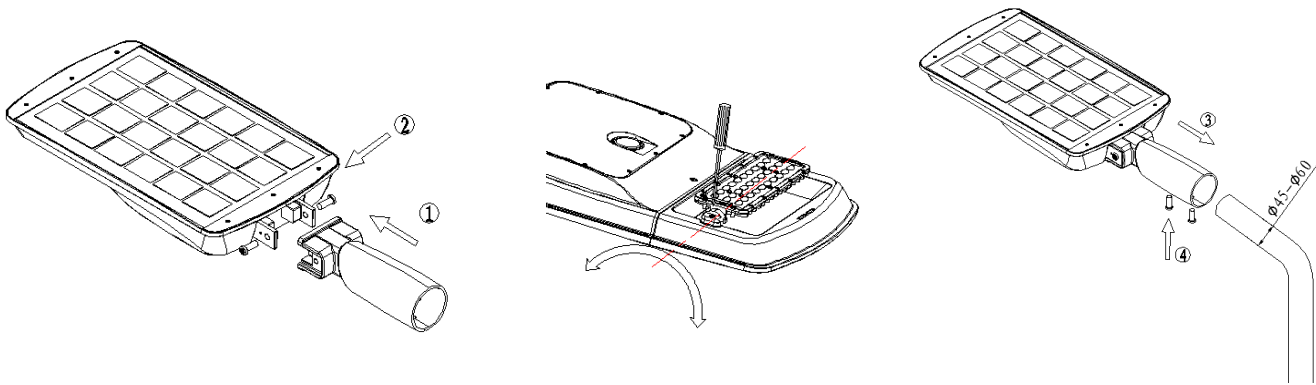
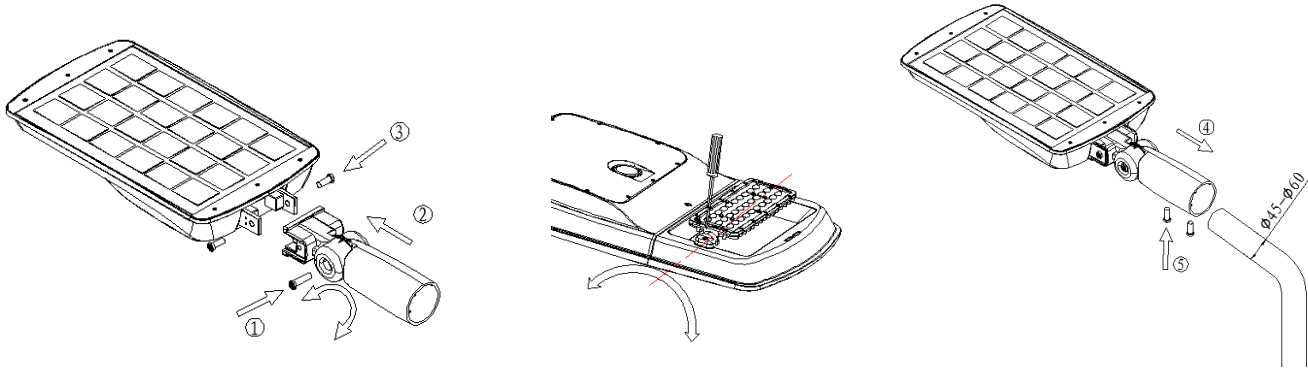


Installation Accessories:

Item	Fixed arm mounting	Slip fitter mounting	U-Trunnion mounting	Square-Hoop Mounting	Round -Hoop Mounting
17W Solar Streetlight			<p>1. Wall mounted 2. Square pole above 100mm</p>	<p>1. Round pole : Φ 50- Φ 90mm 2. Square pole: 50-90mm</p>	<p>Round pole: Φ 50- Φ 110mm</p>
36W Solar Streetlight			<p>1. Wall mounted 2. Square pole above 120mm</p>	<p>1. Round pole: Φ 60- Φ 100mm 2. Square pole : 50-100mm</p>	<p>Round pole: Φ 50- Φ 120mm</p>
54W Solar Streetlight					

Installation:

1. Using the dedicated tool to assemble the light body and the mounting accessories, adjust the light fixture and LED module to the suitable angle.
2. Install the light to the round pole, square pole or wall, tighten the screws and the nuts when fixed.
3. Make sure the switch was pressed after installed.



Replacement and Maintenance operations:

In case of battery failure or end of life, loosen the screws on the battery cover, disconnect the wire connectors, take out the battery pack and controller, replace a new one and tighten the screws.

